

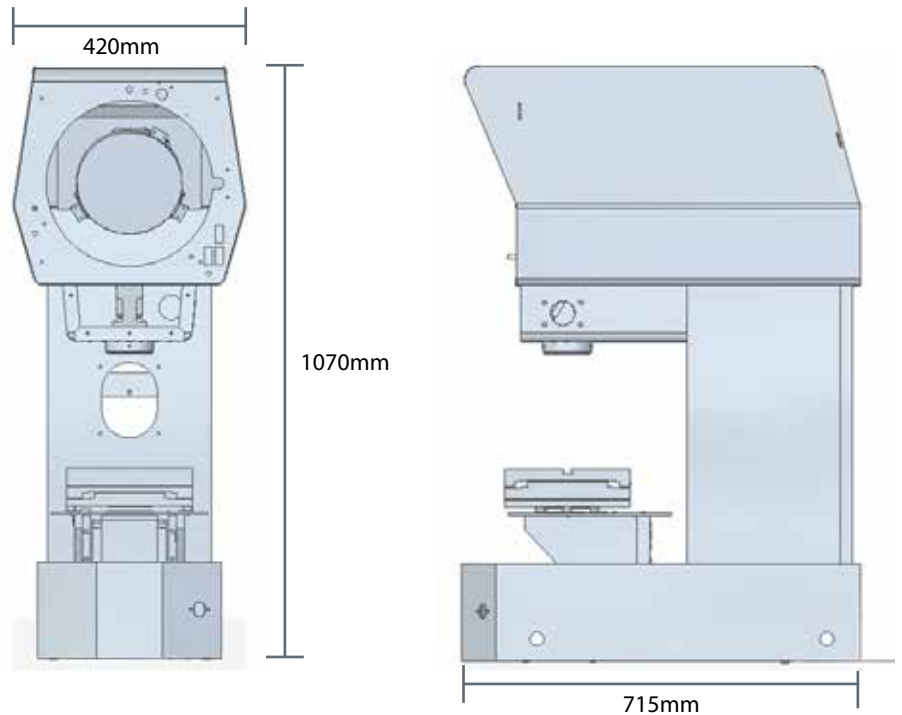
VB300 Dimensions

VB300 dimensions are as listed in the image, all measurements are in millimetres.

Gross Weight: 143kg.

Nett Weight: 123kg.

Shipping dimensions: 120 x 81 x 125cm.

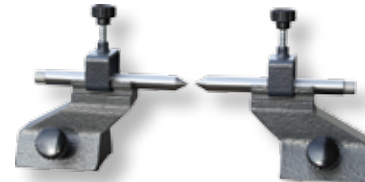


Accessories

Starrett manufacture a comprehensive range of fixtures and accessories to suit our full range of profile projectors.

Each accessory is made from the highest quality material and is machined, assembled and inspected to the same stringent quality standards as the projector itself.

ACCESSORIES



PART NO	DESCRIPTION	PART NO	DESCRIPTION
10L000	Standard Projector Support Cabinet with single fixed shelf.	6H000	Precision Centres and Vees.

Field of View Terminology:

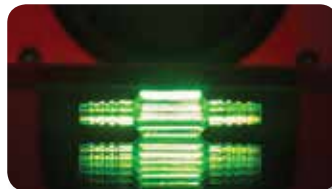
Working Distance: Is the distance between the objective lens and the component when the component is in focus.

Field of View (FOV): Is the viewing area of the component. A 30mm FOV using a 10x lens would produce a screen image of 300mm.

Half Field View: Is the maximum size a component can be projected to the centre of the screen before colliding with the lens.

Full Field View: Is the maximum size a component can be projected over the full screen before colliding with the lens.

Projected Image: Is how a component is projected onto the screen in relation to its placement on the workstage.



L.E.D. PROFILE LIGHTING AND
L.E.D. SURFACE ILLUMINATION
FITTED AS STANDARD!

OPTICAL PROFILE PROJECTORS



The VB300, another projector built to Starrett's trademark formula:

High specification + Low price : Value for money.

This vertical bench-top projector has been designed to meet the demands of modern industry. It is ideal for the rapid inspection of small light weight components, pressings, plastic mouldings, electronic components, small turned parts etc.

Features & Specifications

- Fully usable 300mm / 12" diameter upright screen with precision cross lines, overlay clips and integral hood.
- Measuring travel: 100mm / 4" X-axis, 100mm / 4" Y-Axis.
- Fast traverse, quick release mechanism on X and Y axis.
- LED profile lighting and LED surface illumination fitted as standard.
- High precision workstage with 225 x 225mm / 9 x 9" top plate, with two machine slots for easy fixturing.
- Stage weight capacity: 5kg / 11lbs (evenly distributed).
- Front panel integrated LED readout for both linear (X and Y) axes and angular screen rotation (Q axis).
- 0.001mm resolution linear scales.
- 10x lens is included.
- Power supply 110 / 120 / 230 / 240 / 250V AC 50 / 60Hz.

Profile: +/-0.05%.

Surface Illumination: +/-0.10%.

VB300

VERTICAL BENCHTOP OPTICAL PROJECTOR



Starrett®

METROLOGY SOLUTIONS